

DRAWING NO.

C1080RPX

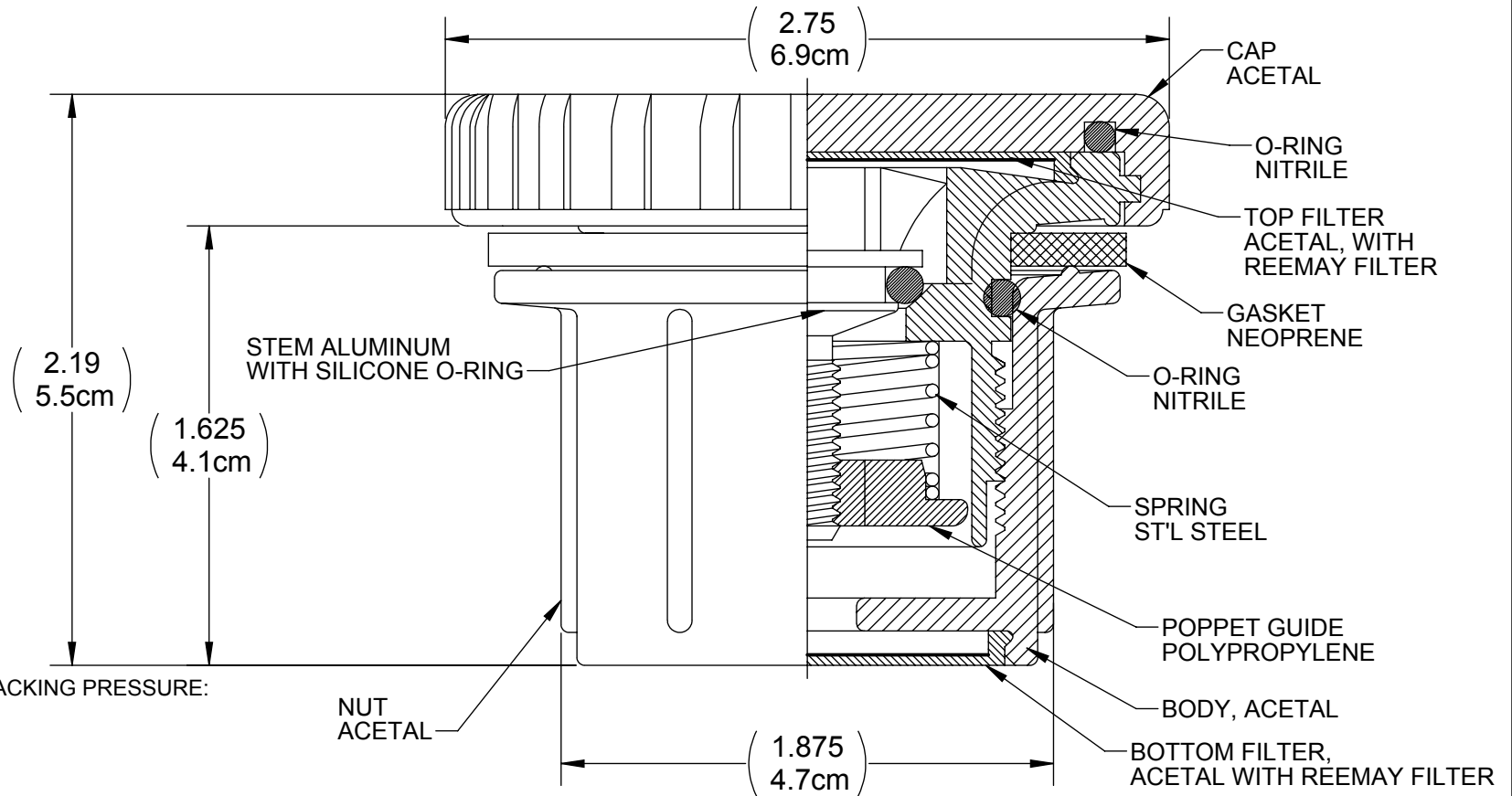
REV

B

Customer Drawing

REVISION HISTORY

REV	DESCRIPTION (ECO)	DATE	APPROVED
A	ECN 2685	11-19-02	L.F.
B	REMOVE DISCONTINUED SUFFIX'S. UPDATE NOTES. ECN 4115	7/30/09	L.F.



NOTES:

1. SUFFIX "X" INDICATES CRACKING PRESSURE:

SUFFIX "X"	PRESSURE PSI
10	1.0
20	2.0
225	2.25
25	2.5
325	3.25
40	4.0

3. CRITICAL DIMENSIONS ARE CIRCLED AND SUBJECT TO INSPECTION

4. DIMENSIONS IN PARENTHESE ARE REFERENCE ONLY.

5. ALL DIMENSIONS ARE IN INCHES WITH NOMINAL DIMENSION IN CENTIMETERS BELOW.

HRC P/N : 1080RPX

MOLDED PARTS:

GATES, PARTING LINES, AND FLASH PER QUALITY CRITERIA

PROPRIETARY AND CONFIDENTIAL

THE INFORMATION CONTAINED IN THIS DRAWING IS SOLE PROPERTY OF HALKEY-ROBERTS CORPORATION ST. PETERSBURG, FL. ANY REPRODUCTION IN PART OR AS A WHOLE WITHOUT THE WRITTEN PERMISSION OF HALKEY-ROBERTS CORPORATION IS PROHIBITED.

DRAWN BY M.S. DATE 06-30-99

APPROVED BY J.W. DATE

MATERIAL

FINISH

UNLESS OTHERWISE SPECIFIED:

DIMENSIONS ARE IN INCHES

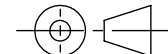
TOLERANCES:

ANGULAR: ± 1°

TWO PLACE DECIMAL ± .01

THREE PLACE DECIMAL ± .005

THIRD ANGLE PROJECTION



Halkey-Roberts

TITLE RELIEF VALVE ASSY.

SIZE	DRAWING NO.	REV
A	C1080RPX	B
SCALE	DO NOT SCALE DRAWING	
NTS	SHEET 1 OF 1	