

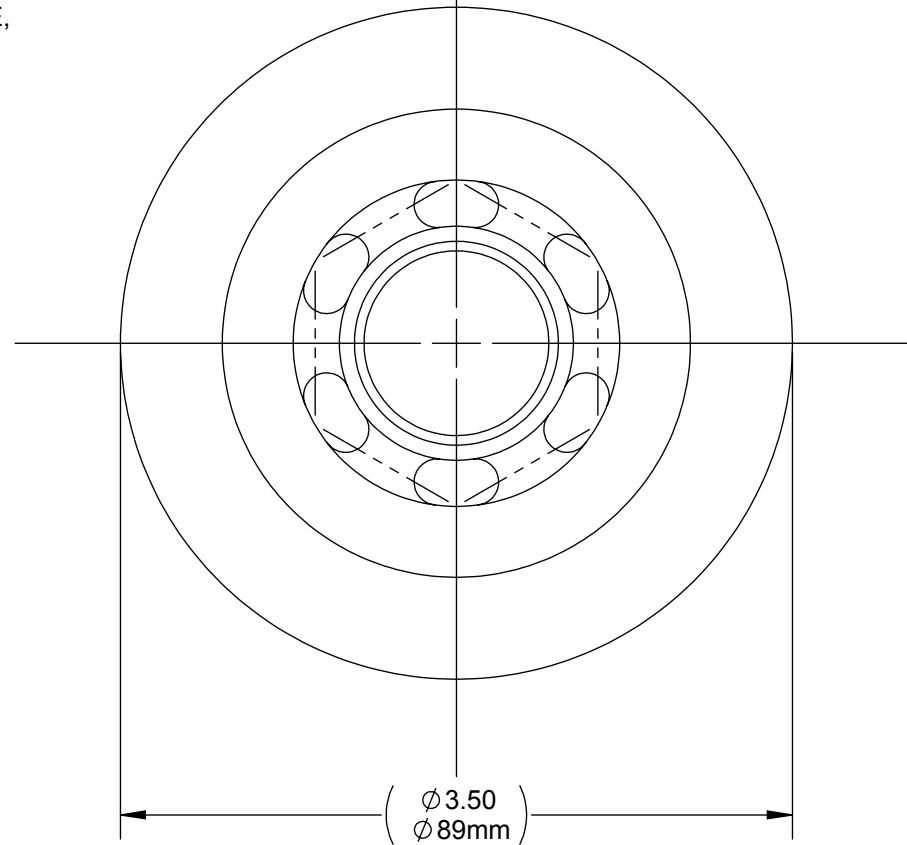
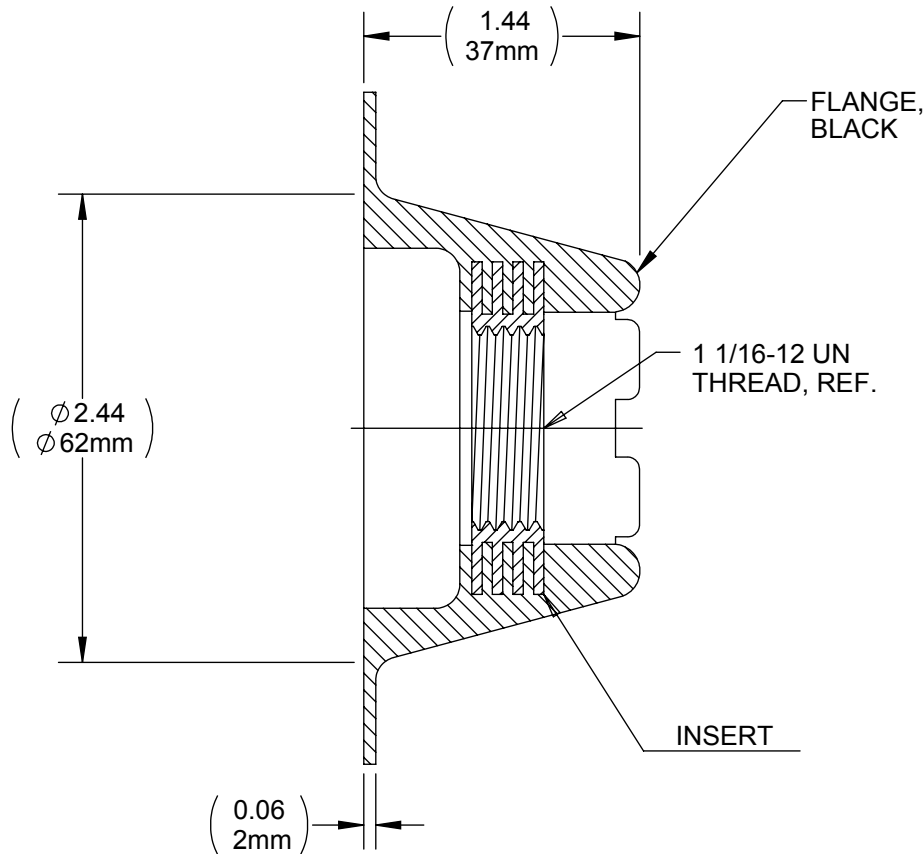
DRAWING NO.
C981001020

REV
A

Customer Drawing

REVISION HISTORY

REV	DESCRIPTION (ECO)	DATE	APPROVED
A	REMOVE DISCONTINUED SUFFIX OPTIONS UPDATE BORDER, NOTES, ADD METRIC DIMS. ECN 4261	12/01/09	AK



NOTES:

1. CRITICAL DIMENSIONS ARE CIRCLED, AND SUBJECT TO INSPECTION.
2. DIMENSIONS IN PARENTHESES ARE FOR REFERENCE ONLY.
3. ALL DIMENSIONS ARE IN INCHES WITH NOMINAL, DIMENSIONS IN METRIC BELOW.

QUALITY CRITERIA:

O.D. FLASH: 0.015 MAX. (0.4MM)

GATE VESTIGE: 0.01 MAX. (0.3MM)

EMBEDDED PARTICLES, BUBBLES, SPOTS, STAINS: 0.3mm² MAX. NO MORE THAN 3 PER PART.

MOLDED PARTS:
GATES, PARTING LINES, AND FLASH PER QUALITY CRITERIA

PROPRIETARY AND CONFIDENTIAL
THE INFORMATION CONTAINED IN THIS DRAWING IS SOLE PROPERTY OF HALKEY-ROBERTS CORPORATION ST. PETERSBURG, FL. ANY REPRODUCTION IN PART OR AS A WHOLE WITHOUT THE WRITTEN PERMISSION OF HALKEY-ROBERTS CORPORATION IS PROHIBITED.

DRAWN BY		DATE 1/12/2010
APPROVED BY		DATE
MATERIAL	BLACK POLYURETHANE 70-75 DURO SHORE "D"	
FINISH		
UNLESS OTHERWISE SPECIFIED:	THIRD ANGLE PROJECTION	
DIMENSIONS ARE IN INCHES		
TOLERANCES:		
ANGULAR: ± 1° TWO PLACE DECIMAL ± .01 THREE PLACE DECIMAL ± .005		



Halkey-Roberts

TITLE **FLANGE, 3 1/2" DIA.**

SIZE A	DRAWING NO. C981001020	REV A
SCALE 1:1	DO NOT SCALE DRAWING	SHEET 1 OF 1