

DRAWING NO.

C420ACX

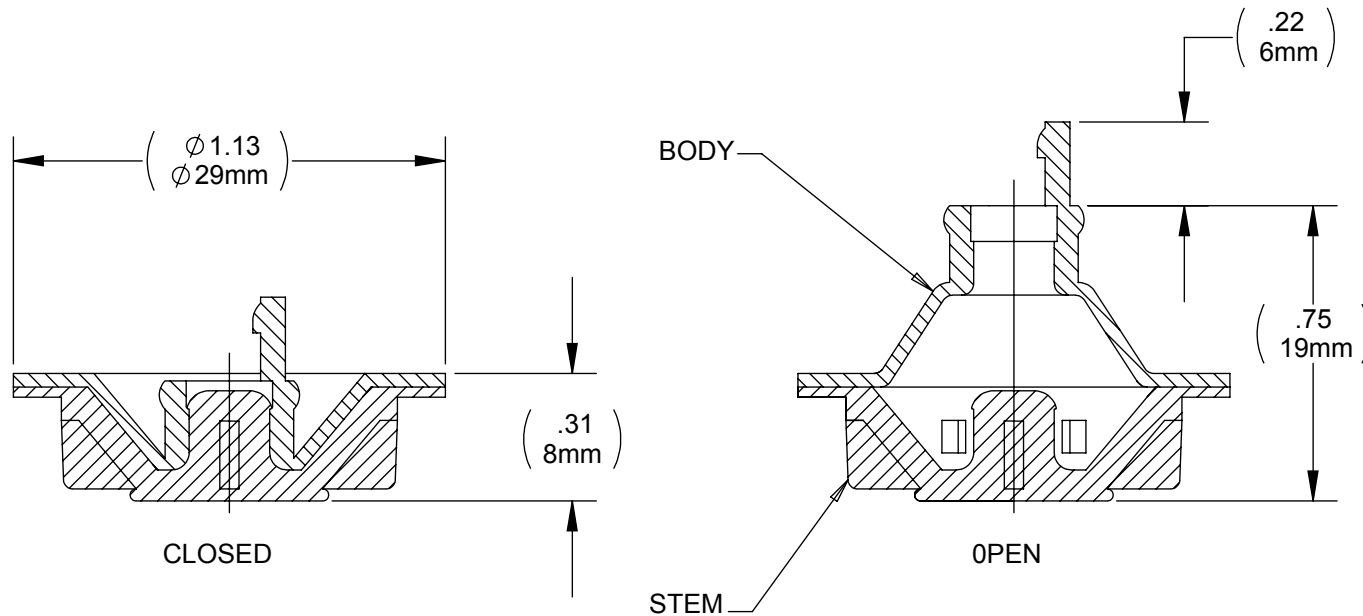
REV

D

Customer Drawing


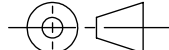
Revision History

REV	DESCRIPTION (ECO)	DATE	APPROVED
C	UPDATE NOTES ECN 3502	1/23/07	JHL
D	UPDATE NOTES, ADD METRIC DIM'S ECN 4278	12/16/09	AK



NOTES:

- SUFFIX INDICATES MATERIAL:
NO SUFFIX - PVC RED
C - PVC CLEAR
- CRITICAL DIMENSIONS ARE CIRCLED AND SUBJECT TO INSPECTION.
- DIMENSIONS IN PARENTHESES ARE FOR REFERENCE ONLY.
- ALL DIMENSIONS ARE IN INCHES WITH NOMINAL DIMENSION IN METRIC BELOW.

DRAWN BY	MS	DATE	11/15/84	 Halkey-Roberts
APPROVED BY	HLZ	DATE		
MATERIAL				
FINISH		TITLE VALVE- CHECK PRESTO SEAL		
UNLESS OTHERWISE SPECIFIED:	THIRD ANGLE PROJECTION		SIZE A	DRAWING NO. C420ACX
DIMENSIONS ARE IN INCHES			SCALE 2:1	REV D
TOLERANCES: ANGULAR: $\pm 1^\circ$ TWO PLACE DECIMAL $\pm .01$ THREE PLACE DECIMAL $\pm .005$			DO NOT SCALE DRAWING	
MOLDED PARTS: GATES, PARTING LINES, AND FLASH PER QUALITY CRITERIA			SHEET 1 OF 1	
PROPRIETARY AND CONFIDENTIAL THE INFORMATION CONTAINED IN THIS DRAWING IS THE SOLE PROPERTY OF HALKEY-ROBERTS CORPORATION ST. PETERSBURG, FL. ANY REPRODUCTION IN PART OR AS A WHOLE WITHOUT THE WRITTEN PERMISSION OF HALKEY-ROBERTS CORPORATION IS PROHIBITED.				