

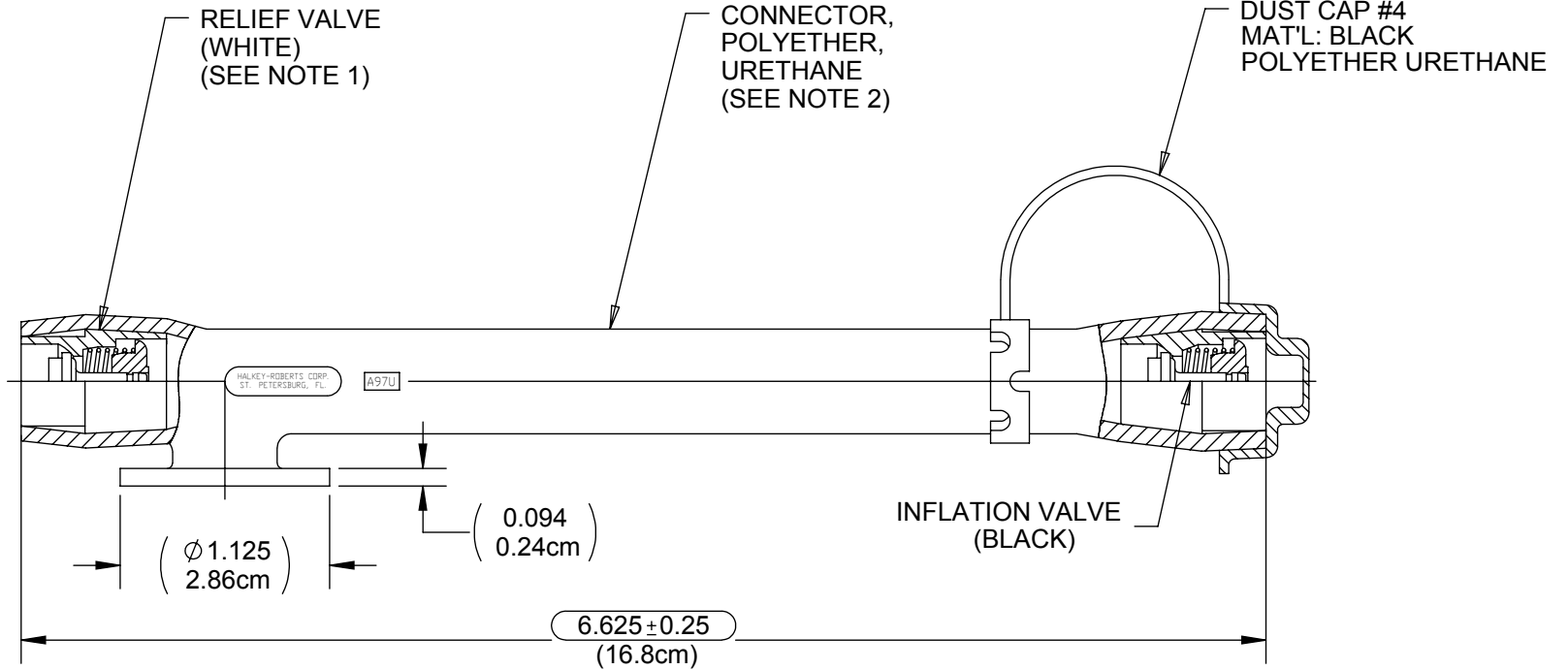
DRAWING NO.  
**CV7300XU56XC4**

REV  
**E**

# Customer Drawing

## REVISION HISTORY

REV	DESCRIPTION (ECO)	DATE	APPROVED
D	ADD TABLE FOR SUFFIX OPTIONS, ADD 3.5 & 5.0 PSI ECN 4986	9/30/11	AK
E	UPDATE DUST CAP MAT. ECO 6471	3/30/15	AK



NOTES:

- FIRST SUFFIX, "X" INDICATES RELIEF PRESSURE:
- SECOND SUFFIX, "X" INDICATES TUBE COLOR:
- SEE TABLE FOR P/N:

TUBE COLOR:	RELIEF PRESSURE				
	PSI 1.5	PSI 2.0	PSI 2.5	PSI 3.5	PSI 5.0
RED	V730015U56C4	V73002U56C4	V730025U56C4		V730050U56C4
BLACK		V73002U56BKC4	V730025U56BKC4	V73000U56BKC4	

TOOLING:	TOOLING PART NO.	IFU
SEALING DIE:	SD73000	-----
VALVE EXTRACTOR:	T740	IFU-T740
INFLATE/ DEFLATE TOOL:	TV73703G	IFU-T730ROA1

- CRITICAL DIMENSIONS ARE CIRCLED AND SUBJECT TO INSPECTION.
- DIMENSIONS IN PARENTHESES ARE FOR REFERENCE ONLY.
- ALL DIMENSIONS ARE IN INCHES WITH NOMINAL DIMENSIONS IN METRIC BELOW.

DRAWN BY	M.S.	DATE	02-02-98
APPROVED BY	J.W.	DATE	
MATERIAL			
FINISH			
UNLESS OTHERWISE SPECIFIED:	THIRD ANGLE PROJECTION		
DIMENSIONS ARE IN INCHES			
TOLERANCES:			
ANGULAR: ± 1°			
TWO PLACE DECIMAL ± .01	SCALE	1:1	
THREE PLACE DECIMAL ± .005			

**Halkey-Roberts**

TITLE **ORAL TUBE ASSY. W/ CAP #4**

SIZE	A	DRAWING NO.	<b>CV7300XU56XC4</b>	REV	<b>E</b>
SCALE	1:1	DO NOT SCALE DRAWING		SHEET	1 OF 2

**MOLDED PARTS:**  
GATES, PARTING LINES, AND FLASH PER QUALITY CRITERIA

**PROPRIETARY AND CONFIDENTIAL**  
THE INFORMATION CONTAINED IN THIS DRAWING IS SOLE PROPERTY OF HALKEY-ROBERTS CORPORATION ST. PETERSBURG, FL. ANY REPRODUCTION IN PART OR AS A WHOLE WITHOUT THE WRITTEN PERMISSION OF HALKEY-ROBERTS CORPORATION IS PROHIBITED.