

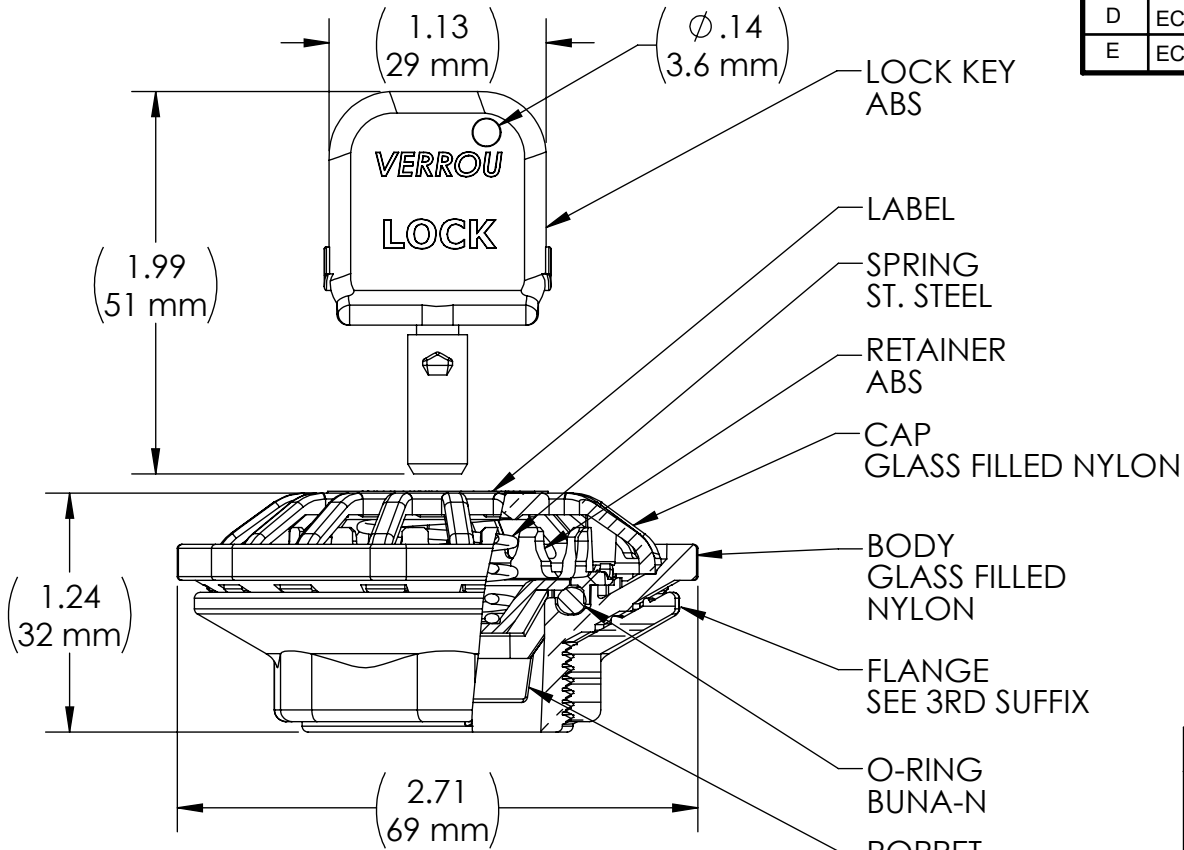
DRAWING NO.
C2110PXXX

REV
E

Customer Drawing

REVISION HISTORY

REV	DESCRIPTION (ECO)	DATE	APPROVED
D	ECO 7824	01/09/18	A.K.
E	ECO 8204	08/15/18	AK



1ST SUFFIX:
 SUFFIX Key MATERIAL
 BLANK - NONE
 K - LOCK KEY

2ND SUFFIX:

SUFFIX	CRACK PRESS (PSI)
02	0.2
03	0.3
05	0.5
10	1.0
15	1.5
30	3.0
50	5.0
70	7.0

3RD SUFFIX:

SUFFIX	FLANGE TYPE	MATERIAL
BLANK	NONE	
C	CLAMP FLANGE	GLASS FILLED NYLON

- NOTES:
1. FLANGE and LOCK KEY PACKED SEPERATELY
 2. TEMPERATURE RANGE -40 °F TO 185 °F
 3. 3.0 PSI - ISO 15738:2002 CLAUSE 8.1 CERTIFIED
 4. CRITICAL DIMENSIONS ARE CIRCLED AND SUBJECT TO INSPECTION.
 5. DIMENSIONS IN PARENTHESES ARE FOR REFERENCE ONLY.
 6. ALL DIMENSIONS ARE IN INCHES, WITH NOMINAL DIMENSION IN METRIC BELOW.
 7. ACCURACY:

NOMINAL PRESSURE (PSI)	CRACK PRESSURE	RESEAT CLOSE BY PRESSURE
0.2	.1 TO .4 PSI	0.04 PSI
0.3	.2 TO .5 PSI	NO REQUIREMENT
0.5	0.5 ± .175 PSI	.25 PSI
3.0	NOMINAL ±35%	-40% OF NOMINAL
1 THRU 7	NOMINAL ±25%	-40% OF NOMINAL

DESCRIPTION	IFU
ASSEMBLY	IFU-2110P
USCG/ISO	IFU-2110PA

MOLDED PARTS:
 GATES, PARTING LINES, AND FLASH PER QUALITY CRITERIA

PROPRIETARY AND CONFIDENTIAL
 THE INFORMATION CONTAINED IN THIS DRAWING IS SOLE PROPERTY OF HALKEY-ROBERTS CORPORATION ST. PETERSBURG, FL. ANY REPRODUCTION IN PART OR AS A WHOLE WITHOUT THE WRITTEN PERMISSION OF HALKEY-ROBERTS CORPORATION IS PROHIBITED.

DRAWN BY Ifawcett	DATE 3/21/13
APPROVED BY	DATE
MATERIAL ERROR!:Material	
FINISH ERROR!:Finish	
UNLESS OTHERWISE SPECIFIED: DIMENSIONS ARE IN INCHES TOLERANCES: ANGULAR: ± 1° TWO PLACE DECIMAL ± .01 THREE PLACE DECIMAL ± .005	THIRD ANGLE PROJECTION

HR® Halkey-Roberts®

TITLE LARGE MOLDED RV

SIZE A **DRAWING NO.** C2110PXXX **REV** E

SCALE 1:1 **SHEET** 1 OF 1

DO NOT SCALE DRAWING