

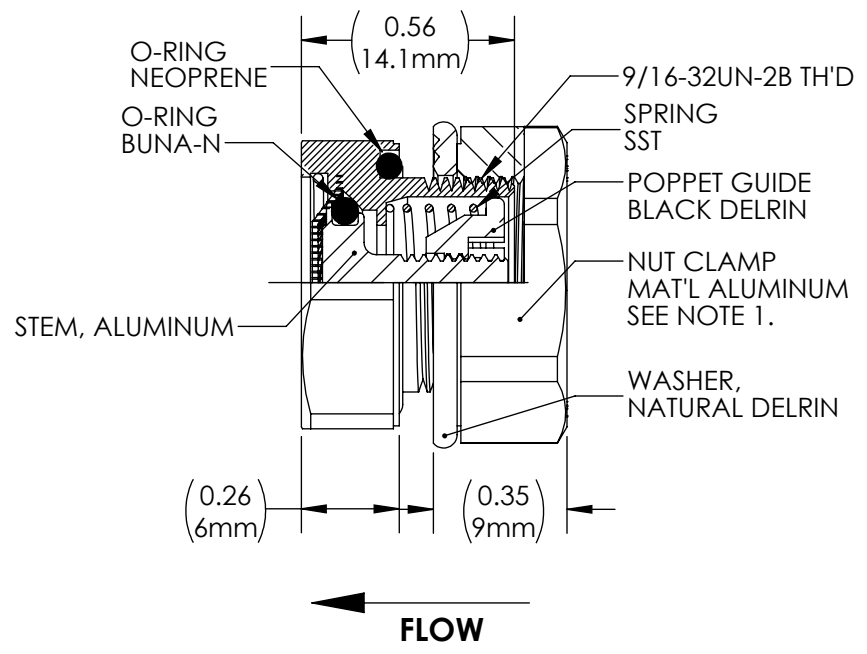
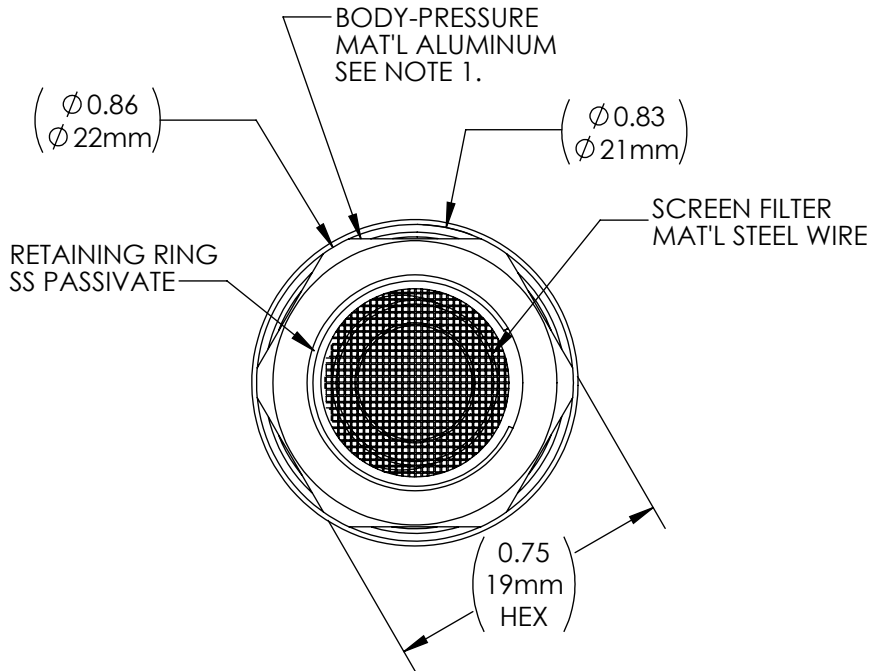
DRAWING NO.
C750RPXX

REV
P

Customer Drawing

REVISION HISTORY

REV	DESCRIPTION (ECO)	DATE	APPROVED
N	ADD REF. DIM. (.56) ECO 7023	6/16/16	LF
P	FLIP WASHER 180 DEGREES ECO 7255	12/05/16	LF



NOTES:
1. FIRST SUFFIX, "X" INDICATES COLOR:

BODY	NUT
NO SUFFIX - CLEAR ANODIZE	BLACK ANODIZE
BK - BLACK ANODIZE	BLACK ANODIZE
NP - NICKEL PLATE	NICKEL PLATE

2. SECOND SUFFIX, "X" INDICATES CRACKING PRESSURE - CRACKING PRESSURE \pm 15% OF NOMINAL, RESEAT WITHIN 20% OF NOMINAL CRACKING PRESSURE. SEE SHEET 2 FOR AVAILABLE PRESSURE RANGES.

- 3. CRITICAL DIMENSIONS ARE CIRCLED AND SUBJECT TO INSPECTION.
- 4. DIMENSIONS IN PARENTHESES ARE FOR REFERENCE ONLY.
- 5. ALL DIMENSIONS ARE IN INCHES, WITH NOMINAL DIMENSION IN METRIC BELOW.
- 6. TEMPERATURE RANGE: -65°F TO 180°F.
- 7. WEIGHT - 0.25 OZ. (7 GRAMS).
- 8. MATERIAL DFARS 252.225.7009, OR 252.225.7014, COMPLIANT.
- 9. MATERIAL ROHS COMPLIANT.

MOLDED PARTS:
GATES, PARTING LINES, AND FLASH PER QUALITY CRITERIA

PROPRIETARY AND CONFIDENTIAL
THE INFORMATION CONTAINED IN THIS DRAWING IS SOLE PROPERTY OF HALKEY-ROBERTS CORPORATION ST. PETERSBURG, FL. ANY REPRODUCTION IN PART OR AS A WHOLE WITHOUT THE WRITTEN PERMISSION OF HALKEY-ROBERTS CORPORATION IS PROHIBITED.

DRAWN BY	LF	DATE	08/01/77
APPROVED BY		DATE	
MATERIAL			
FINISH			
UNLESS OTHERWISE SPECIFIED:	THIRD ANGLE PROJECTION		
DIMENSIONS ARE IN INCHES TOLERANCES: ANGULAR: \pm 1° TWO PLACE DECIMAL \pm .01 THREE PLACE DECIMAL \pm .005			

Halkey-Roberts

RELIEF VALVE, PRESSURE

SIZE **A** DRAWING NO. **C750RPXX** REV **P**

SCALE **1:1** SHEET **1 OF 2**

DO NOT SCALE DRAWING

DRAWING NO.
C750RPXX

REV
P

Customer Drawing

REVISION HISTORY

REV	DESCRIPTION (ECO)	DATE	APPROVED
N	ADD REF. DIM. (.56) ECO 7023	6/16/16	LF
P	FLIP WASHER 180 DEGREES ECO 7255	12/05/16	LF

SUFFIX	BODY FINISH	NUT FINISH	CRACK PRESSURE (PSI)	SUFFIX	BODY FINISH	NUT FINISH	CRACK PRESSURE (PSI)	SUFFIX	BODY FINISH	NUT FINISH	CRACK PRESSURE (PSI)
750RP01	CLEAR	BLACK	0.1	750RPBK10	BLACK	BLACK	1.0	750RPNP025	NICKEL PLATED	NICKEL PLATED	0.25
750RP02	CLEAR	BLACK	0.2	750RPBK20	BLACK	BLACK	2.0	750RPNP10	NICKEL PLATED	NICKEL PLATED	1.0
750RP04	CLEAR	BLACK	0.4	750RPBK30	BLACK	BLACK	3.0				
750RP05	CLEAR	BLACK	0.5								
750RP06	CLEAR	BLACK	0.6								
750RP065	CLEAR	BLACK	0.65								
750RP07	CLEAR	BLACK	0.7								
750RP10	CLEAR	BLACK	1.0								
750RP112	CLEAR	BLACK	1.12								
750RP12	CLEAR	BLACK	1.2								
750RP15	CLEAR	BLACK	1.5								
750RP20	CLEAR	BLACK	2.0								
750RP23	CLEAR	BLACK	2.3								
750RP25	CLEAR	BLACK	2.5								
750RP30	CLEAR	BLACK	3.0								
750RP35	CLEAR	BLACK	3.5								
750RP40	CLEAR	BLACK	4.0								
750RP50	CLEAR	BLACK	5.0								
750RP60	CLEAR	BLACK	6.0								
750RP65	CLEAR	BLACK	6.5								
750RP70	CLEAR	BLACK	7.0								
750RP75	CLEAR	BLACK	7.5								
750RP100	CLEAR	BLACK	10.0								
750RP150	CLEAR	BLACK	15.0								
750RP200	CLEAR	BLACK	20.0								

DRAWN BY	LF	DATE	08/01/77
APPROVED BY		DATE	
MATERIAL			
FINISH			



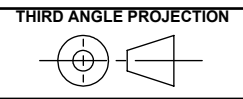
Halkey-Roberts

TITLE **RELIEF VALVE, PRESSURE**

MOLDED PARTS:
GATES, PARTING LINES, AND FLASH PER QUALITY CRITERIA

PROPRIETARY AND CONFIDENTIAL
THE INFORMATION CONTAINED IN THIS DRAWING IS SOLE PROPERTY OF HALKEY-ROBERTS CORPORATION ST. PETERSBURG, FL. ANY REPRODUCTION IN PART OR AS A WHOLE WITHOUT THE WRITTEN PERMISSION OF HALKEY-ROBERTS CORPORATION IS PROHIBITED.

UNLESS OTHERWISE SPECIFIED:
DIMENSIONS ARE IN INCHES
TOLERANCES:
ANGULAR: ± 1°
TWO PLACE DECIMAL ± .01
THREE PLACE DECIMAL ± .005



SIZE	A	DRAWING NO.	C750RPXX	REV	P
SCALE	1:1	DO NOT SCALE DRAWING		SHEET	2 OF 2