

DRAWING NO.

C750RVXX

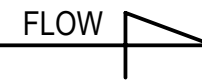
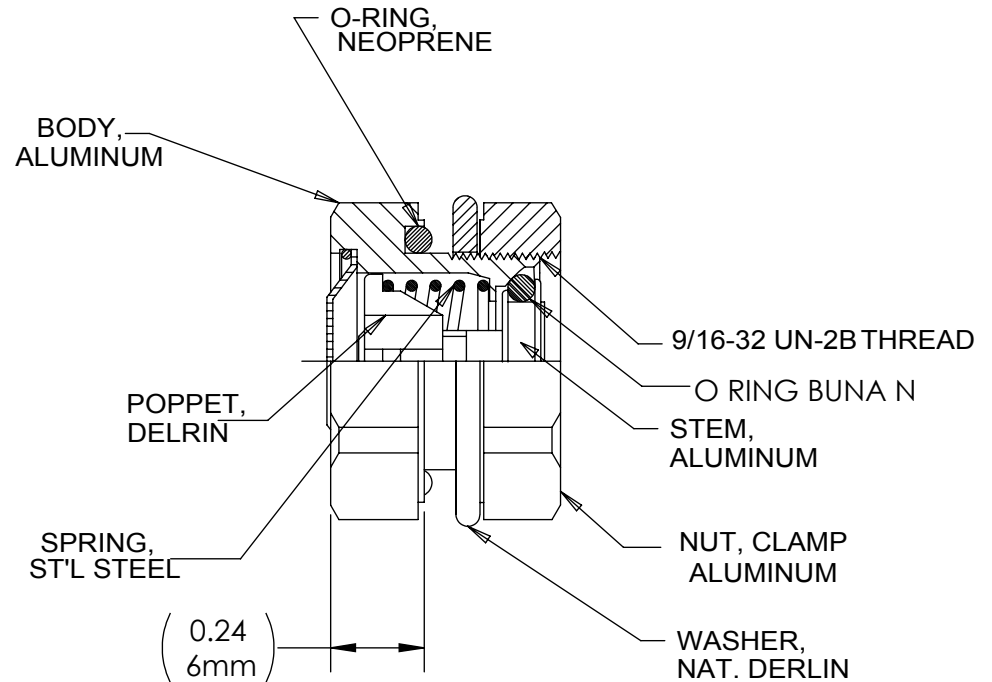
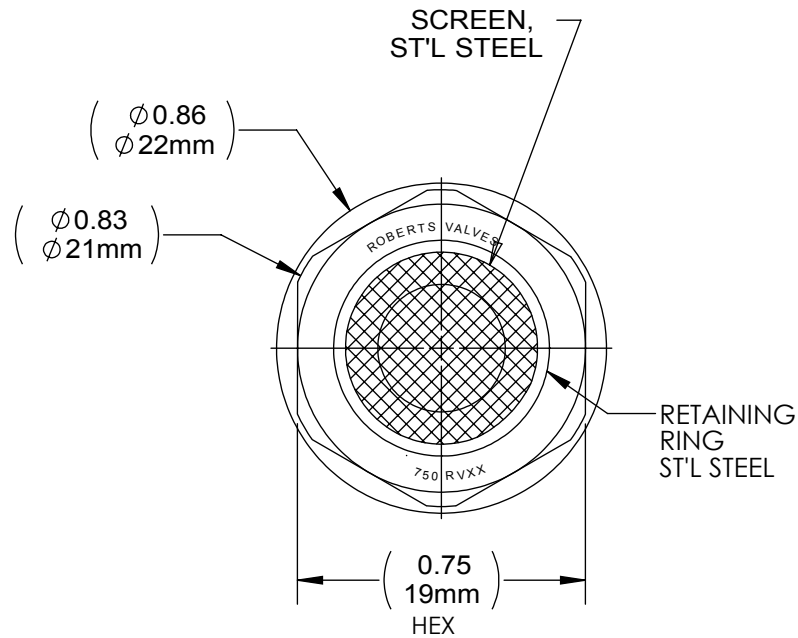
REV

G

## Customer Drawing

## Revision History

REV	DESCRIPTION (ECO)	DATE	APPROVED
F	UPDATE SECTIONAL VIEW. ECO 6365	1/15/15	LF
G	UPDATE ORING CALLOUT TO READ NEOPRENE ECO 6588	7/20/15	LF



## NOTES:

- FIRST SUFFIX, "X" INDICATES COLOR:  
NO SUFFIX - CLEAR ANODIZE  
BK - BLACK
- SECOND SUFFIX, "X" INDICATES CRACKING PRESSURE -  
CRACKING PRESSURE  $\pm 15\%$  OF NOMINAL,  
RESEAT WITHIN 20% OF NOMINAL CRACKING PRESSURE.  
SEE SHEET 2. FOR AVAILABLE RANGES.
- CRITICAL DIMENSIONS ARE CIRCLED AND SUBJECT TO INSPECTION.
- DIMENSIONS IN PARENTHESES ARE FOR REFERENCE ONLY.
- ALL DIMENSIONS ARE IN INCHES, WITH NOMINAL DIMENSION IN METRIC BELOW.
- TEMPERATURE RANGE:  $-65^{\circ}\text{F}$  TO  $180^{\circ}\text{F}$ .
- WEIGHT - 0.25 OZ. ( 7 GRAMS ).
- MATERIAL DFARS 252.225.7009, OR 252.225.7014, COMPLIANT.
- MATERIAL ROHS COMPLIANT.

## MOLDED PARTS:

GATES, PARTING LINES, AND FLASH PER QUALITY CRITERIA

## PROPRIETARY AND CONFIDENTIAL

THE INFORMATION CONTAINED IN THIS DRAWING IS THE SOLE PROPERTY OF HALKEY-ROBERTS CORPORATION, ST. PETERSBURG, FL. ANY REPRODUCTION IN PART OR AS A WHOLE WITHOUT THE WRITTEN PERMISSION OF HALKEY-ROBERTS CORPORATION IS PROHIBITED.

DRAWN BY M.S. DATE 06/07/99

APPROVED BY - DATE -

MATERIAL ALUMINUM, SEE NOTE

## FINISH

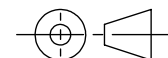
## UNLESS OTHERWISE SPECIFIED:

DIMENSIONS ARE IN INCHES

TOLERANCES:

ANGULAR:  $\pm 1^{\circ}$ TWO PLACE DECIMAL  $\pm .01$ THREE PLACE DECIMAL  $\pm .005$ 

## THIRD ANGLE PROJECTION



Halkey-Roberts

TITLE

RELIEF VALVE, VACUUM

SIZE

A

DRAWING NO.

C750RVXX

REV

G

SCALE

2:1

DO NOT SCALE DRAWING

SHEET

1 OF 2

DRAWING NO.  
**C750RVXX**


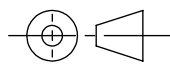
REV  
**G**

# Customer Drawing

## REVISION HISTORY

REV	DESCRIPTION (ECO)	DATE	APPROVED
	SEE SHEET ONE		

SUFFIX	BODY FINISH	NUT FINISH	VACUUM ( PSI )
750RV01	CLEAR ANODIZE	BLACK ANODIZE	0.1
750RV05	CLEAR ANODIZE	BLACK ANODIZE	0.5
750RV085	CLEAR ANODIZE	BLACK ANODIZE	0.85
750RVBK15	BLACK ANODIZE	BLACK ANODIZE	1.5
750RV20	CLEAR ANODIZE	BLACK ANODIZE	2.0
750RV29	CLEAR ANODIZE	BLACK ANODIZE	2.9
750RV40	CLEAR ANODIZE	BLACK ANODIZE	4.0
750RV50	CLEAR ANODIZE	BLACK ANODIZE	5.0
750RV100	CLEAR ANODIZE	BLACK ANODIZE	10.0
750RV115	CLEAR ANODIZE	BLACK ANODIZE	11.5

<b>DRAWN BY</b> dcoughlin	<b>DATE</b> 4/19/2013	 <b>Halkey-Roberts</b>	
<b>APPROVED BY</b>	<b>DATE</b>		
<b>MATERIAL</b>			
<b>FINISH</b>		<b>TITLE</b> RELIEF VALVE, VACUUM	
<b>MOLDED PARTS:</b> GATES, PARTING LINES, AND FLASH PER QUALITY CRITERIA  <b>PROPRIETARY AND CONFIDENTIAL</b> THE INFORMATION CONTAINED IN THIS DRAWING IS SOLE PROPERTY OF HALKEY-ROBERTS CORPORATION ST. PETERSBURG, FL. ANY REPRODUCTION IN PART OR AS A WHOLE WITHOUT THE WRITTEN PERMISSION OF HALKEY-ROBERTS CORPORATION IS PROHIBITED.	<b>UNLESS OTHERWISE SPECIFIED:</b> DIMENSIONS ARE IN INCHES TOLERANCES: ANGULAR: ± 1° TWO PLACE DECIMAL ± .01 THREE PLACE DECIMAL ± .005	<b>THIRD ANGLE PROJECTION</b> 	
	<b>SIZE</b> A <b>SCALE</b> 2:1	<b>DRAWING NO.</b> C750RVXX <b>DO NOT SCALE DRAWING</b>	<b>REV</b> G <b>SHEET</b> 2 OF 2