

DRAWING NO.

C770RPMXX

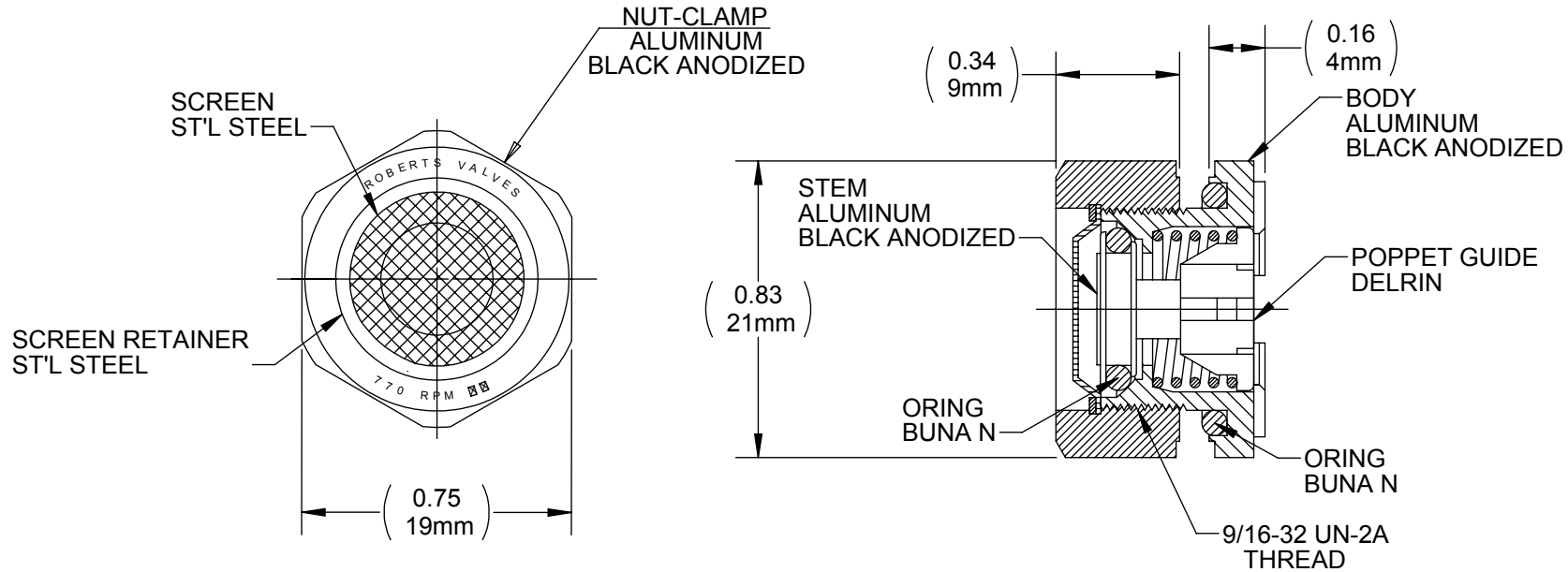
REV

B

## Customer Drawing

## REVISION HISTORY

REV	DESCRIPTION (ECO)	DATE	APPROVED
1	REDRAWN	08-03-99	JW
B	UPDATE NOTES, BORDER, ADD METRIC DIM'S ECN 4240	11/10/09	AK



## NOTE:

- SUFFIX INDICATES CRACKING PRESSURE 0 - 10 PSIG AS PER CUSTOMER REQUIREMENTS.
- CRACKING PRESSURE:  $\pm 15\%$  OF NOMINAL; RESEAT WITHIN 20% OF NOMINAL CRACKING PRESSURE.
- TEMPERATURE RANGE:  $-80^{\circ}$  TO  $180^{\circ}$ F.
- RUBBER: MIL-R 6855 BUNA N
- ANODIZE: BLACK MIL-A-8625, TYPE II, NICKEL ACETATE SEAL.
- CRITICAL DIMENSIONS ARE CIRCLED AND SUBJECT TO INSPECTION.
- DIMENSIONS IN PARENTHESES ARE FOR REFERENCE ONLY.
- ALL DIMENSIONS ARE IN INCHES WITH NOMINAL DIMENSIONS IN METRIC BELOW.

## MOLDED PARTS:

GATES, PARTING LINES, AND FLASH PER QUALITY CRITERIA

## PROPRIETARY AND CONFIDENTIAL

THE INFORMATION CONTAINED IN THIS DRAWING IS SOLE PROPERTY OF HALKEY-ROBERTS CORPORATION ST. PETERSBURG, FL. ANY REPRODUCTION IN PART OR AS A WHOLE WITHOUT THE WRITTEN PERMISSION OF HALKEY-ROBERTS CORPORATION IS PROHIBITED.

DRAWN BY M.S. DATE 10-18-94

APPROVED BY JW DATE

MATERIAL

FINISH

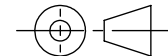
UNLESS OTHERWISE SPECIFIED:

DIMENSIONS ARE IN INCHES

TOLERANCES:

ANGULAR:  $\pm 1^{\circ}$ TWO PLACE DECIMAL  $\pm .01$ THREE PLACE DECIMAL  $\pm .005$ 

THIRD ANGLE PROJECTION



Halkey-Roberts

TITLE RELIEF VALVE PRESSURE

SIZE

A

DRAWING NO.

C770RPMXX

REV

B

SCALE

2:1

DO NOT SCALE DRAWING

SHEET

1 OF 1