

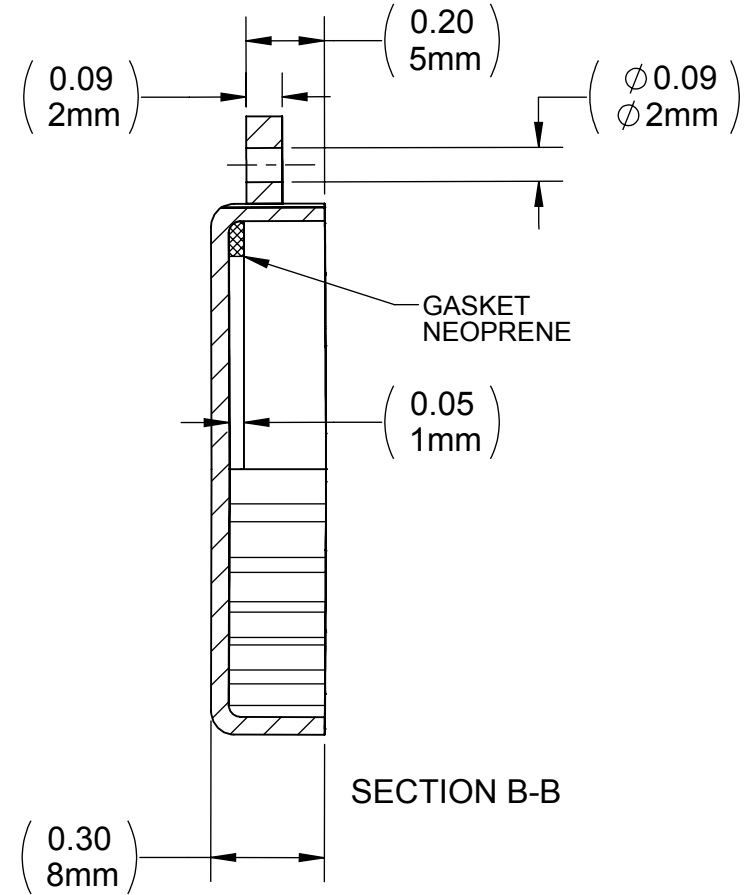
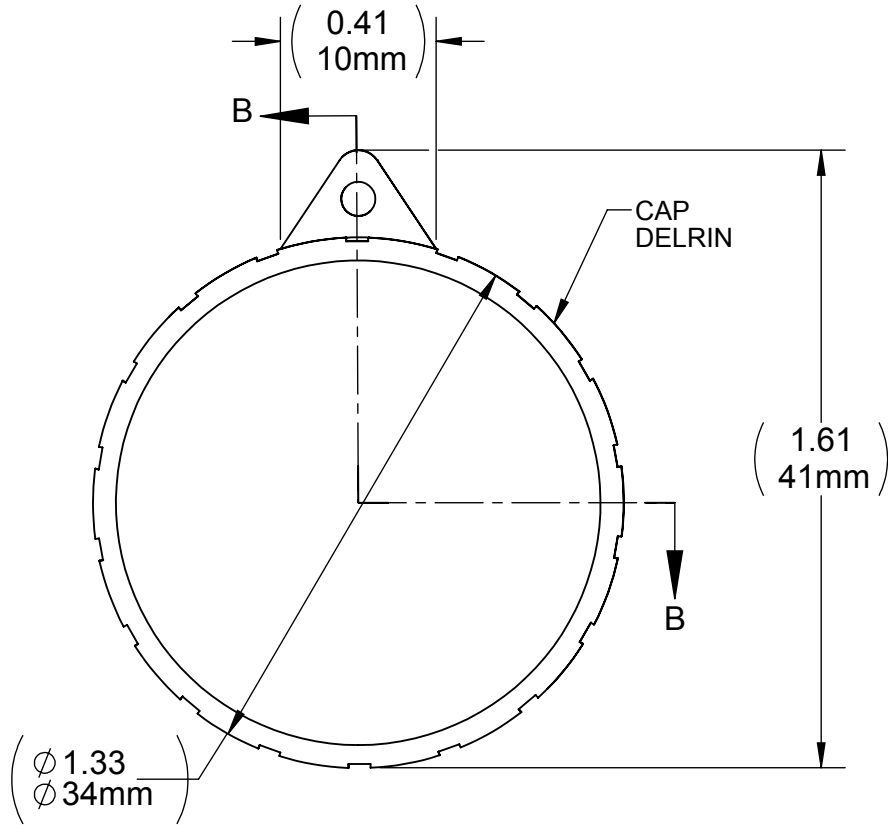
DRAWING NO.
C780CTG

REV
C

Customer Drawing

REVISION HISTORY

REV	DESCRIPTION (ECO)	DATE	APPROVED
2	REDRAWN	08/23/99	
C	UPDATE BORDER, NOTES, ADD METRIC DIM'S ECN 4240	11/10/09	AK



NOTES:

1. CRITICAL DIMENSIONS ARE CIRCLED AND SUBJECT TO INSPECTION.
2. DIMENSIONS IN PARENTHESES ARE FOR REFERENCE ONLY.
3. ALL DIMENSIONS ARE IN INCHES WITH NOMINAL DIMENSION IN METRIC BELOW.

MOLDED PARTS:
GATES, PARTING LINES, AND FLASH PER QUALITY CRITERIA

PROPRIETARY AND CONFIDENTIAL
THE INFORMATION CONTAINED IN THIS DRAWING IS SOLE PROPERTY OF HALKEY-ROBERTS CORPORATION ST. PETERSBURG, FL. ANY REPRODUCTION IN PART OR AS A WHOLE WITHOUT THE WRITTEN PERMISSION OF HALKEY-ROBERTS CORPORATION IS PROHIBITED.

DRAWN BY	M.S.	DATE	03-06-91
APPROVED BY	JW	DATE	
MATERIAL	DELTRIN		
FINISH			
UNLESS OTHERWISE SPECIFIED:	THIRD ANGLE PROJECTION		
DIMENSIONS ARE IN INCHES TOLERANCES: ANGULAR: ± 1° TWO PLACE DECIMAL ± .01 THREE PLACE DECIMAL ± .005			



TITLE	CAP WITH TAB & GASKET		
SIZE	DRAWING NO.	REV	
A	C780CTG	C	
SCALE	DO NOT SCALE DRAWING	SHEET	1 OF 1
2:1			