

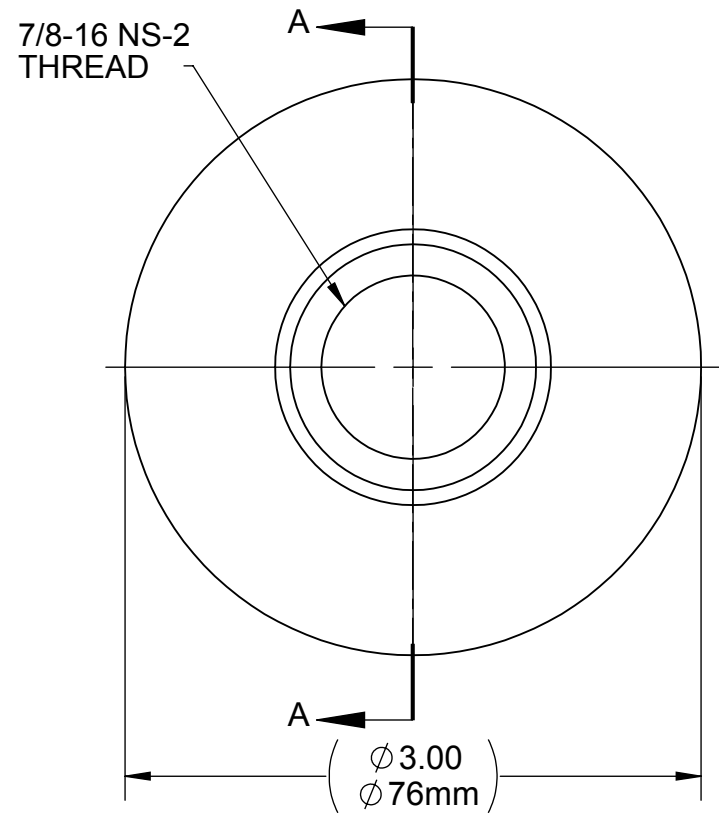
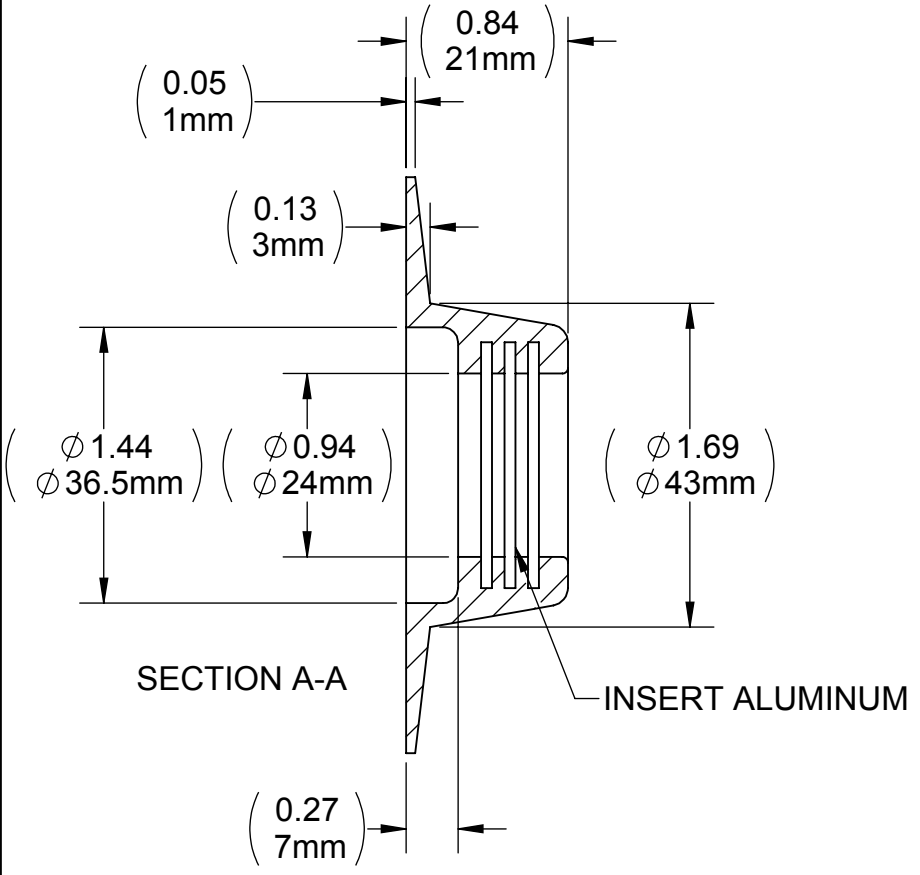
DRAWING NO.
C787RPPF

REV
D

Customer Drawing

REVISION HISTORY

REV	DESCRIPTION (ECO)	DATE	APPROVED
C	ADD DFARS & ROHS NOTES ECO 5682	6/06/13	AK
D	UPDATE THR'D CALLOUT 7/8-16 NS-2 ECO 5797	9/09/13	LF



- NOTES:
- MATERIAL: NEOPRENE 80 DURO SHORE A
 - TEMP RESISTANT -65°F TO 180°F.
 - CRITICAL DIMENSIONS ARE CIRCLED AND SUBJECT TO INSPECTION.
 - DIMENSIONS IN PARENTHESES ARE FOR REFERENCE ONLY.
 - ALL DIMENSIONS ARE IN INCHES WITH NOMINAL DIMENSION IN METRIC BELOW.
 - MATERIAL MUST BE DFARS 252.225.7009, OR 252.225.7014 COMPLIANT.
 - MATERIAL MUST BE ROHS COMPLIANT.

TOOLING:	PART NO.	IFU:
SEALING DIE:	D787RP	-----
ASSEMBLY:	-----	-----

MOLDED PARTS:
GATES, PARTING LINES, AND FLASH PER QUALITY CRITERIA

PROPRIETARY AND CONFIDENTIAL
THE INFORMATION CONTAINED IN THIS DRAWING IS SOLE PROPERTY OF HALKEY-ROBERTS CORPORATION ST. PETERSBURG, FL. ANY REPRODUCTION IN PART OR AS A WHOLE WITHOUT THE WRITTEN PERMISSION OF HALKEY-ROBERTS CORPORATION IS PROHIBITED.

DRAWN BY	M.S.	DATE	04/18/83
APPROVED BY		DATE	
MATERIAL	NEOPRENE 80 DURO SHORE A		
FINISH			
UNLESS OTHERWISE SPECIFIED:	THIRD ANGLE PROJECTION		
DIMENSIONS ARE IN INCHES TOLERANCES: ANGULAR: ± 1° TWO PLACE DECIMAL ± .01 THREE PLACE DECIMAL ± .005			

Halkey-Roberts

TITLE FLANGE 780RPP VALVE

SIZE A **DRAWING NO.** C787RPPF **REV** D

SCALE 1:1 **DO NOT SCALE DRAWING** **SHEET** 1 OF 1