

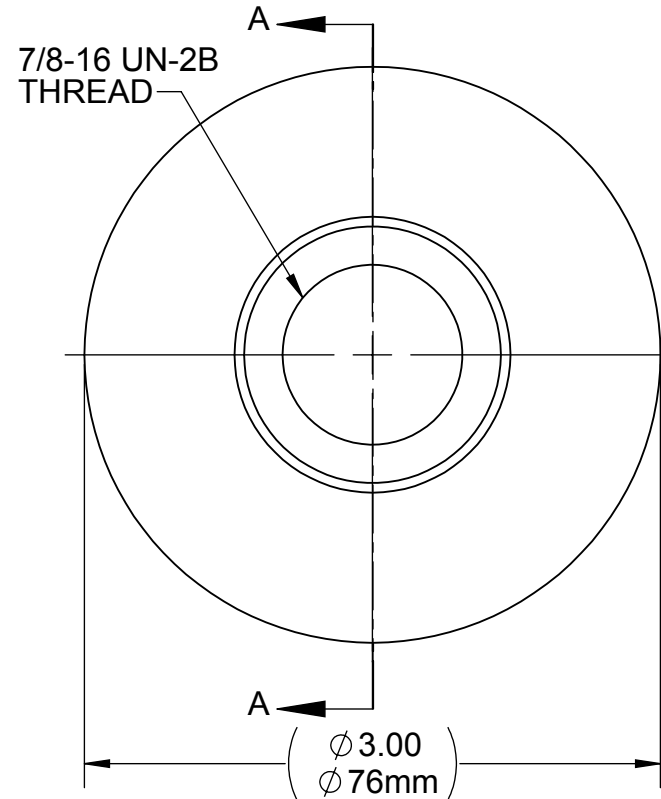
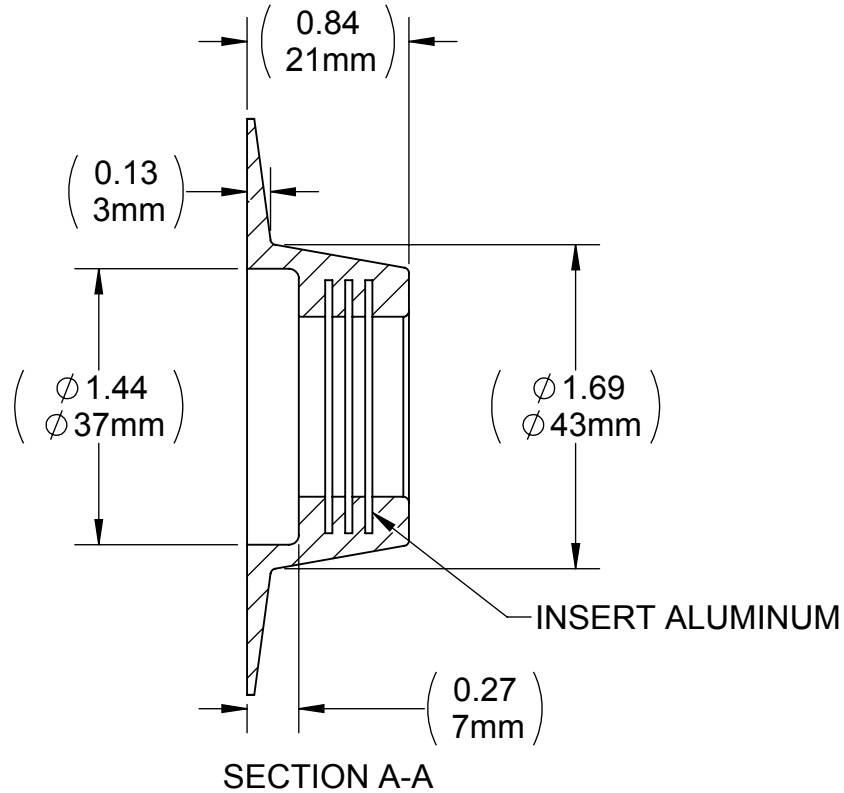
DRAWING NO.
C787RPPFNR

REV
B

Customer Drawing

REVISION HISTORY

REV	DESCRIPTION (ECO)	DATE	APPROVED
1	REDRAWN	08-03-99	JW
B	UPDATE BORDER, NOTES, ADD METRIC DIM'S ECN 4240	11/17/09	AK



1. MATERIAL: NATURAL RUBBER 80 ± 5 DURO, SHORE A
2. CRITICAL DIMENSIONS ARE CIRCLED AND SUBJECT TO INSPECTION.
3. DIMENSIONS IN PARENTHESES ARE FOR REFERENCE ONLY.
4. ALL DIMENSIONS ARE IN INCHES, WITH NOMINAL DIMENSION IN METRIC BELOW.

MOLDED PARTS:
GATES, PARTING LINES, AND FLASH PER QUALITY CRITERIA

PROPRIETARY AND CONFIDENTIAL
THE INFORMATION CONTAINED IN THIS DRAWING IS SOLE PROPERTY OF HALKEY-ROBERTS CORPORATION ST. PETERSBURG, FL. ANY REPRODUCTION IN PART OR AS A WHOLE WITHOUT THE WRITTEN PERMISSION OF HALKEY-ROBERTS CORPORATION IS PROHIBITED.

DRAWN BY	J.W.	DATE	01-09-92
APPROVED BY		DATE	
MATERIAL	SEE NOTE		
FINISH			
UNLESS OTHERWISE SPECIFIED:	THIRD ANGLE PROJECTION		
<small>DIMENSIONS ARE IN INCHES TOLERANCES: ANGULAR: $\pm 1^\circ$ TWO PLACE DECIMAL $\pm .01$ THREE PLACE DECIMAL $\pm .005$</small>			

 **Halkey-Roberts**

TITLE **FLANGE, 780RPP VALVE**

SIZE	DRAWING NO.	REV
A	C787RPPFNR	B
SCALE	DO NOT SCALE DRAWING	SHEET
1:1		1 OF 1