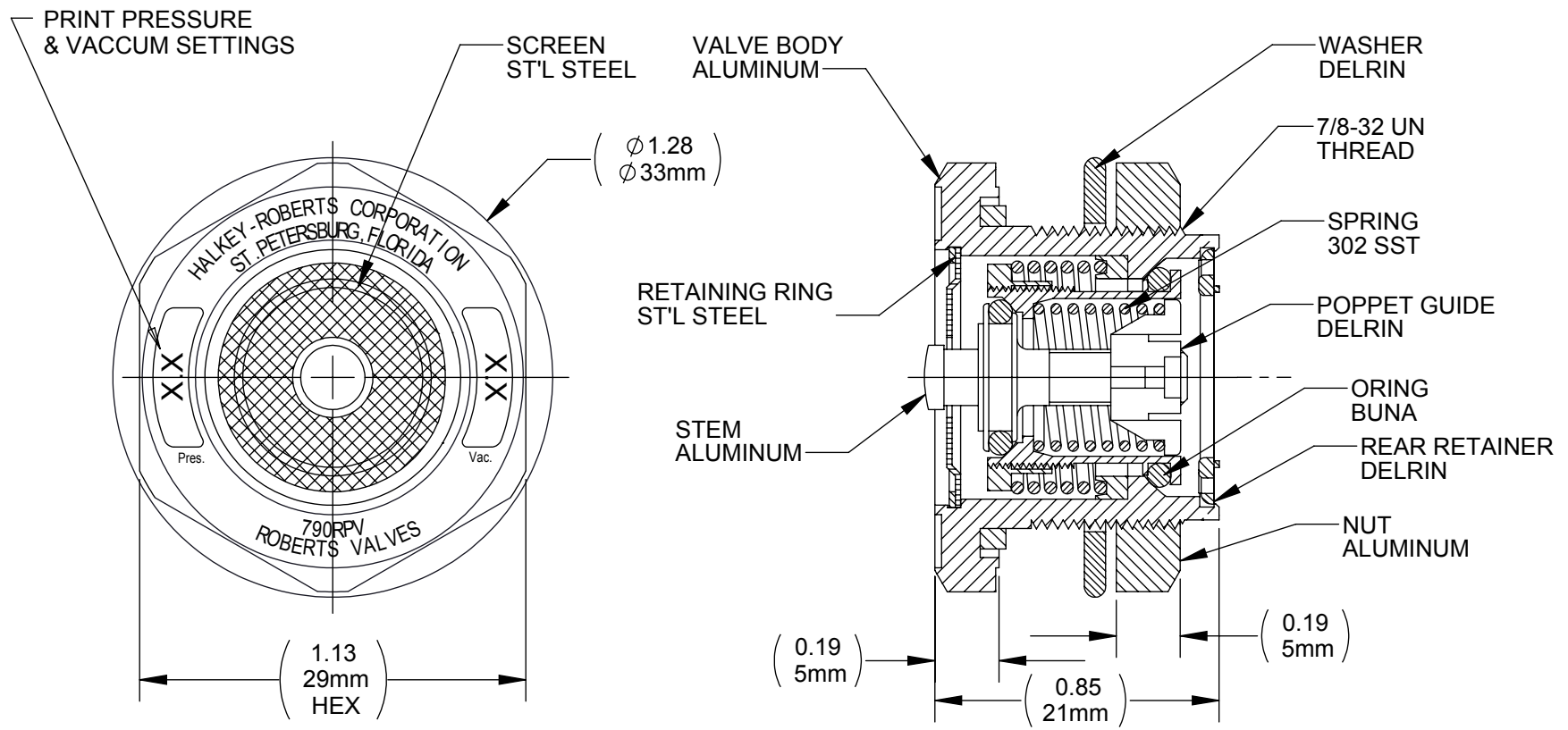


DRAWING NO. **C790RPVXX** REV **E**

Customer Drawing

Revision History			
REV	DESCRIPTION (ECO)	DATE	APPROVED
D	UPDATE NOTES, ADD METRIC DIMS ECN 4240	11/10/09	AK
E	ADD DFARS & ROHS NOTES ECO 5714	7/02/13	AK



- NOTES:
- FIRST SUFFIX, "X" INDICATES PRESSURE.
SECOND SUFFIX, "X" INDICATES VACUUM.
 - CRITICAL DIMENSIONS ARE CIRCLED AND SUBJECT TO INSPECTION.
 - DIMENSIONS IN PARENTHESIS ARE REFERENCE ONLY.
 - ALL DIMENSIONS ARE IN INCHES WITH NOMINAL DIMENSION BELOW IN METRIC.
 - MATERIALS ARE DFARS 252.225.7009, OR 252.225.7014 COMPLIANT.
 - MATERIALS ARE ROHS COMPLIANT.

DRAWN BY	M.S.	DATE	06-21-99	
APPROVED BY	J.W.	DATE		
MATERIAL	CLEAR ANODIZE			
FINISH				TITLE
UNLESS OTHERWISE SPECIFIED:				SIZE
DIMENSIONS ARE IN INCHES				A
TOLERANCES:				SCALE
ANGULAR: ± 1°				2:1
TWO PLACE DECIMAL ± .01				DRAWING NO.
THREE PLACE DECIMAL ± .005				C790RPVXX
THIRD ANGLE PROJECTION				REV
				E
DO NOT SCALE DRAWING				SHEET
				1 OF 1

MOLDED PARTS:
 GATES, PARTING LINES, AND FLASH PER QUALITY CRITERIA

PROPRIETARY AND CONFIDENTIAL

THE INFORMATION CONTAINED IN THIS DRAWING IS THE SOLE PROPERTY OF HALKEY-ROBERTS CORPORATION, ST. PETERSBURG, FL. ANY REPRODUCTION IN PART OR AS A WHOLE WITHOUT THE WRITTEN PERMISSION OF HALKEY-ROBERTS CORPORATION IS PROHIBITED.