

DRAWING NO.

C790ZSPXXX

REV

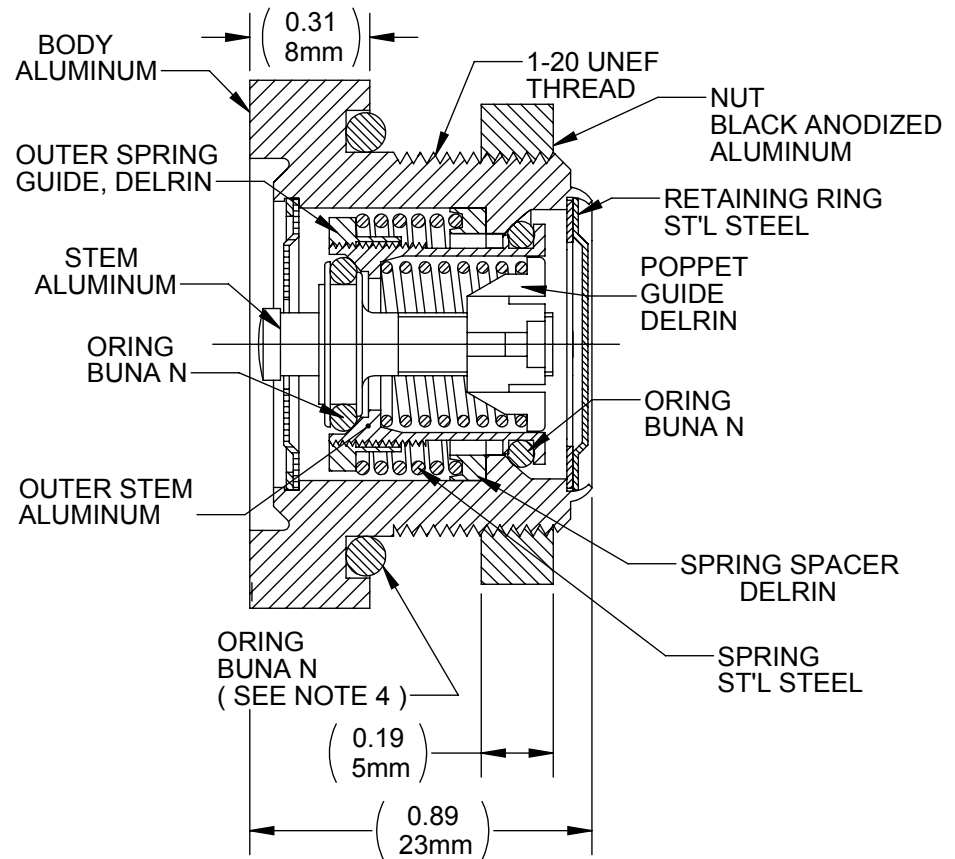
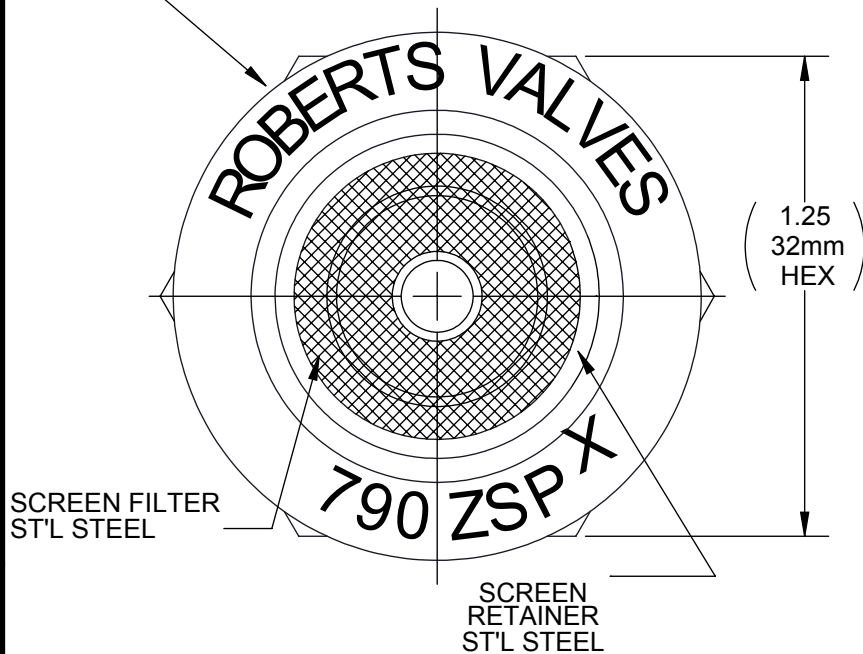
C

Customer Drawing

Revision History

REV	DESCRIPTION (ECO)	DATE	APPROVED
B	UPDATE NOTES, ADD METRIC DIM'S ECN 4240	11/10/09	AK
C	ADD DFARS & ROHS NOTES ECO 5714	7/02/13	AK

STAMP IN 1/8 HIGH LETTERS
ON 1 1/32 DIA. AS SHOWN.



NOTES:

- FIRST SUFFIX, "X" INDICATES FINISH:
NO SUFFIX - ANODIZE PER MIL-A-8625 TYPE II,
Z - CHROME CONVERSION COATING PER MIL-C-5541 CLASS 3
NICKEL ACETATE SEAL, BLACK DYE.
- SECOND SUFFIX, "X" INDICATES PRESSURE IN PSI
- THIRD SUFFIX, "X" INDICATES VACUUM IN PSI
- USE WITH PARKER O-RING #2-120 N219-70 OR
EQUIVALENT BUNA-N : 70 DURO
- CRITICAL DIMENSIONS ARE CIRCLED AND SUBJECT TO INSPECTION.
- DIMENSIONS IN PARENTHESES ARE FOR REFERENCE ONLY.
- ALL DIMENSIONS ARE IN INCHES WITH NOMINAL DIMENSION IN METRIC
BELOW.

8. MATERIALS ARE DFARS 252.225.7009, OR 252.225.7014 COMPLIANT .

9. MATERIALS ARE ROHS COMPLIANT.

MOLDED PARTS:

GATES, PARTING LINES, AND FLASH PER QUALITY CRITERIA

PROPRIETARY AND CONFIDENTIAL

THE INFORMATION CONTAINED IN THIS DRAWING IS THE SOLE
PROPERTY OF HALKEY-ROBERTS CORPORATION, ST. PETERSBURG, FL.
ANY REPRODUCTION IN PART OR AS A WHOLE WITHOUT THE WRITTEN
PERMISSION OF HALKEY-ROBERTS CORPORATION IS PROHIBITED.

DRAWN BY M.S. DATE 6-18-99

APPROVED BY JW DATE

MATERIAL

FINISH

UNLESS OTHERWISE SPECIFIED:

DIMENSIONS ARE IN INCHES

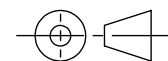
TOLERANCES:

ANGULAR: ±1°

TWO PLACE DECIMAL ±.01

THREE PLACE DECIMAL ±.005

THIRD ANGLE PROJECTION



Halkey-Roberts

TITLE DUAL ACTION BREATHER VALVE

SIZE A DRAWING NO. C790ZSPXXX REV C

SCALE 2:1 DO NOT SCALE DRAWING SHEET 1 OF 1